

# Apacer

The Most **Reliable**  
Storage For Industries

USZ20-UFD5



## USZ20-UFD5

### Overview

Apacer's USZ20-UFD5 is a high performance flash disk drive designed offering portable storage solutions. USZ20-UFD5 can be plugged into a standard USB 2.0 connector commonly found in desktops, portable computers and even enterprise PC systems.



USZ20-UFD5 has an efficient built-in microcontroller and file management firmware that ensures ideal performance, functionality and reliability. This product is well suited for portable flash storage applications while operating at minimal power consumption.

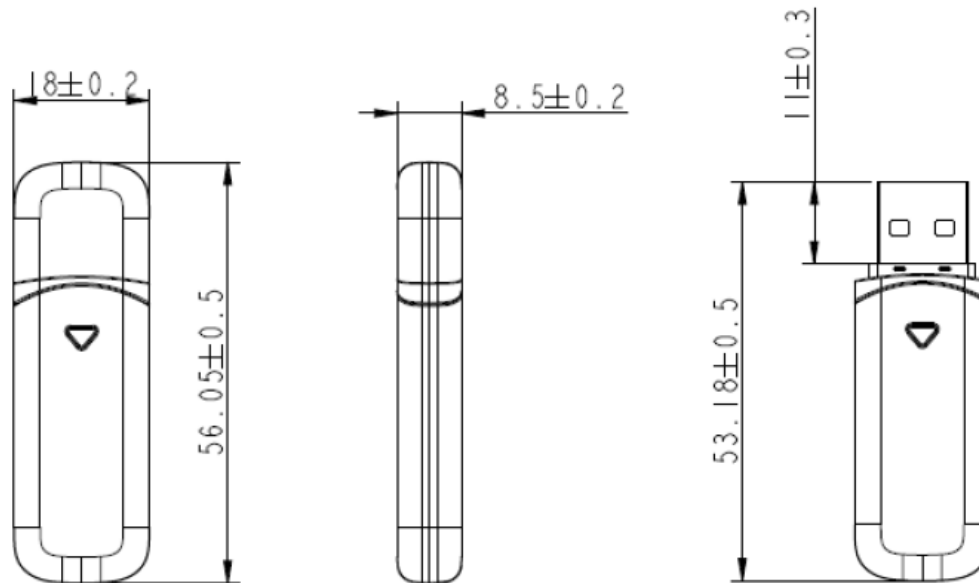
### Feature

- USB 2.0 high-speed transmission
- Wear Leveling
- ECC engine
- Power Saving implemented
- Optional industrial temp. range -40°C to 85°C

## Specifications

<b>Model</b>	USZ20-UFD5
<b>Interface</b>	USB 2.0
<b>Connector</b>	USB 2.0 A Type Plug
<b>Form Factor</b>	USB flash drive
<b>NAND Flash Type</b>	SLC
<b>Capacity</b>	256MB~32GB
<b>External DRAM</b>	No
<b>Sustained Read Performance (MB/sec)</b>	Up to 34
<b>Sustained Write Performance (MB/sec)</b>	Up to 22
<b>ECC Engine</b>	Built-in 24-bit per 1K bytes BCH ECC
<b>Standard Operating Temperature ( °C )</b>	0 ~ + 70
<b>Extended Operating Temperature ( °C )</b>	-40 ~ + 85
<b>Storage Temperature ( °C )</b>	-40 ~ 100
<b>Housing</b>	Yes
<b>H/W Write Protect</b>	No
<b>Screw Hole</b>	No
<b>Cable-less Solution</b>	No
<b>Thermal sensor</b>	No
<b>Shock</b>	Operation: 50G/11ms (compliant with MIL-STD-202G) Non-operation: 1500G/0.5ms (compliant with MIL-STD-883K)
<b>Vibration</b>	Operation: 7.69 Grms, 20~2000 Hz/random (compliant with MIL-STD-810G) Non-operation: 4.02 Grms, 15~2000 Hz/random (compliant with MIL-STD-810G)
<b>Operating Voltage</b>	5.0 V ± 5%
<b>Power Consumption</b>	Active mode: 185 mA; Idle mode: 65 mA
<b>Dimension (L x W x H )</b>	56.05 x 18 x 8.5 (mm)
<b>MTBF (hours)</b>	>3,000,000

## Mechanical Specification



Unit: mm

For more information,  
contact your Apacer representative

### Global Presence

Taiwan (Headquarters)  
Apacer Technology Inc.  
Tel: +886-2-2267-8000  
Fax: +886-2-2267-2261

Europe  
Apacer Technology B.V.  
Tel: +31-40-267-0000  
Fax: +31-40-290-0686

U.S.A.  
Apacer Memory America, Inc.  
Tel: +1-408-518-8699  
Fax: 1-510-249-9551

China  
Apacer Electronic(Shanghai)  
Co., Ltd.  
Tel: +86-21-6228-9939

Japan  
Apacer Technology Corp.  
Tel: +81-3-5419-2668  
Fax: +81-3-5419-0018

India  
Apacer Technologies Pvt. Ltd.  
Tel: +91-80-41529061~3  
Fax: +91-80-41700215