

# Apacer

The Most **Reliable**  
Storage For Industries

US120-UFD5



## US120-UFD5

### Overview

Apacer USB 3.0 Handy Flash Drive US120-UFD5 is a ultra high-performance flash disk drive designed offering portable storage solutions or external memory expansion. This new generation USB flash drive is compatible with the latest USB specification – USB 3.0 Super Speed, with a maximum transfer rate of 5 Gb/s. The connector is backward employable with USB 2.0 and USB 1.1 interfaces as well.

With compliance with USB 3.0 specification, this USB drive can deliver up to 80 MB/s outstanding performance. Reliability wise, the USB comes with various implementations including powerful hardware ECC engine, power saving modes, Wear Leveling and flash block management. This product is well suited for portable flash storage applications while operating at minimal power consumption.



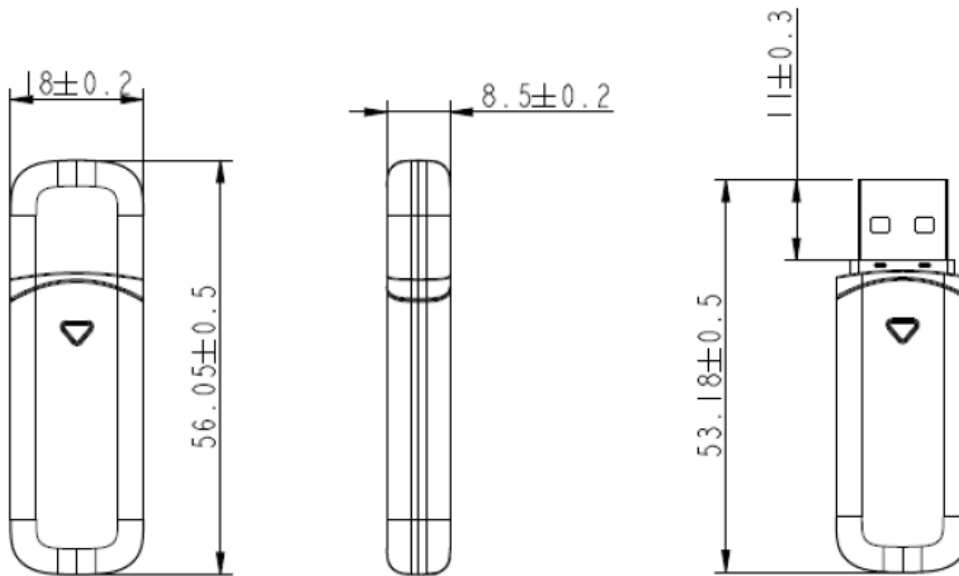
### Feature

- USB3.0 high-speed transmission
- Support S.M.A.R.T Function
- Wear Leveling
- ECC engine
- Power Saving implemented
- Optional industrial temp. range -40°C to 85°C

## Specifications

<b>Model</b>	US120-UFD5
<b>Interface</b>	USB 3.0
<b>Connector</b>	USB 3.0 A Type Plug
<b>Form Factor</b>	USB flash drive
<b>NAND Flash Type</b>	SLC
<b>Capacity</b>	256MB~32GB
<b>External DRAM</b>	No
<b>Sustained Read Performance (MB/sec)</b>	Up to 80
<b>Sustained Write Performance (MB/sec)</b>	Up to 70
<b>ECC Engine</b>	Built-in 39-bit per 1K bytes BCH ECC
<b>Standard Operating Temperature ( °C )</b>	0 ~ + 70
<b>Extended Operating Temperature ( °C )</b>	-40 ~ + 85
<b>Storage Temperature ( °C )</b>	-40 ~ 100
<b>Housing</b>	Yes
<b>H/W Write Protect</b>	No
<b>Screw Hole</b>	No
<b>Cable-less Solution</b>	No
<b>Thermal sensor</b>	No
<b>Shock</b>	Operation: 50G/11ms (compliant with MIL-STD-202G) Non-operation: 1500G/0.5ms (compliant with MIL-STD-883K)
<b>Vibration</b>	Operation: 7.69 Grms, 20~2000 Hz/random (compliant with MIL-STD-810G) Non-operation: 4.02 Grms, 15~2000 Hz/random (compliant with MIL-STD-810G)
<b>Operating Voltage</b>	5.0 V ± 5%
<b>Power Consumption</b>	Active mode: 225 mA; Idle mode: 65 mA
<b>Dimension (L x W x H )</b>	56.05 x 18 x 8.5 (mm)
<b>MTBF (hours)</b>	>3,000,000

## Mechanical Specification



Unit: mm

For more information,  
contact your Apacer representative

### Global Presence

Taiwan (Headquarters)  
Apacer Technology Inc.  
Tel: +886-2-2267-8000  
Fax: +886-2-2267-2261

Europe  
Apacer Technology B.V.  
Tel: +31-40-267-0000  
Fax: +31-40-290-0686

U.S.A.  
Apacer Memory America, Inc.  
Tel: +1-408-518-8699  
Fax: 1-510-249-9551

China  
Apacer Electronic(Shanghai)  
Co., Ltd.  
Tel: +86-21-6228-9939

Japan  
Apacer Technology Corp.  
Tel: +81-3-5419-2668  
Fax: +81-3-5419-0018

India  
Apacer Technologies Pvt. Ltd.  
Tel: +91-80-41529061~3  
Fax: +91-80-41700215