

Apacer

The Most **Reliable**
Storage For Industries

UM120-UFD5



UM120-UFD5

Overview

Apacer USB 3.0 Handy Flash Drive UM120-UFD5 is a ultra high-performance flash disk drive designed offering portable storage solutions or external memory expansion. This new generation USB flash drive is compatible with the latest USB specification – USB 3.0 Super Speed, with a maximum transfer rate of 5 Gb/s. The connector is backward employable with USB 2.0 and USB1.1 interfaces as well.



With compliance with USB 3.0 specification, this USB drive can deliver up to 205 MB/s outstanding performance. Reliability wise, the USB comes with various implementations including powerful hardware ECC engine, power saving modes, Wear Leveling and flash block management. This product is well suited for portable flash storage applications while operating at minimal power consumption.

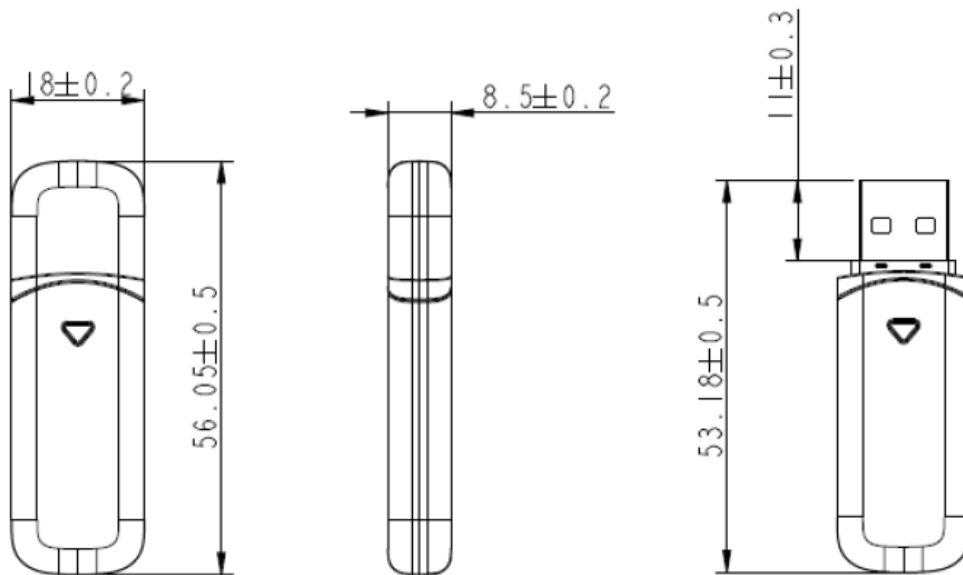
Feature

- USB 3.0 high-speed transmission
- Support S.M.A.R.T Function
- Wear Leveling
- ECC engine
- Power Saving implemented
- Optional industrial temp. range -40°C to 85°C

Specifications

Model	UM120-UFD5
Interface	USB 3.0
Connector	USB 3.0 A Type Plug
Form Factor	USB flash drive
NAND Flash Type	MLC
Capacity	8GB~128GB
External DRAM	No
Sustained Read Performance (MB/sec)	Up to 205
Sustained Write Performance (MB/sec)	Up to 95
ECC Engine	Built-in 39-bit per 1K bytes BCH ECC
Standard Operating Temperature (°C)	0 ~ + 70
Extended Operating Temperature (°C)	-40 ~ + 85
Storage Temperature (°C)	-40 ~ 100
Housing	Yes
H/W Write Protect	No
Screw Hole	No
Cable-less Solution	No
Thermal sensor	No
Shock	Operation: 50G/11ms (compliant with MIL-STD-202G) Non-operation: 1500G/0.5ms (compliant with MIL-STD-883K)
Vibration	Operation: 7.69 Grms, 20~2000 Hz/random (compliant with MIL-STD-810G) Non-operation: 4.02 Grms, 15~2000 Hz/random (compliant with MIL-STD-810G)
Operating Voltage	5.0 V ± 5%
Power Consumption	Active mode: 275 mA; Idle mode: 85 mA
Dimension (L x W x H)	56.05 x 18 x 8.5 (mm)
MTBF (hours)	>3,000,000

Mechanical Specification



Unit: mm

For more information,
contact your Apacer representative

Global Presence

Taiwan (Headquarters)
Apacer Technology Inc.
Tel: +886-2-2267-8000
Fax: +886-2-2267-2261

Europe
Apacer Technology B.V.
Tel: +31-40-267-0000
Fax: +31-40-290-0686

U.S.A.
Apacer Memory America, Inc.
Tel: +1-408-518-8699
Fax: 1-510-249-9551

China
Apacer Electronic(Shanghai)
Co., Ltd.
Tel: +86-21-6228-9939

Japan
Apacer Technology Corp.
Tel: +81-3-5419-2668
Fax: +81-3-5419-0018

India
Apacer Technologies Pvt. Ltd.
Tel: +91-80-41529061~3
Fax: +91-80-41700215