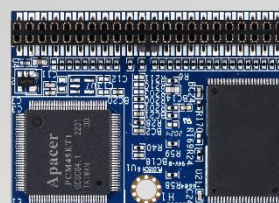


Apacer

The Most **Reliable**  
Storage For Industries



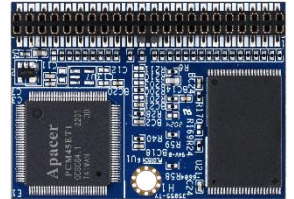
ADM5S 44P/270D



## ADM5S 44P/270D

### Overview

Apacer ATA Disk Module 5S(ADM) complies with 44 PIN IDE (ATA) standard interface in horizontal type or in vertical type, including 270 degree. With high capacity of flash memory supporting, and is suitable for data storage media and code storage device for embedded system, mobile computing devices or other electronic equipments. 100% Compatible with the Standard IDE ATA interface, Apacer ATA Disk Module 5S(ADM) works exactly like a standard hard drive but without any moving part, strongly increasing reliability and improving data access speed performance, without any noise.



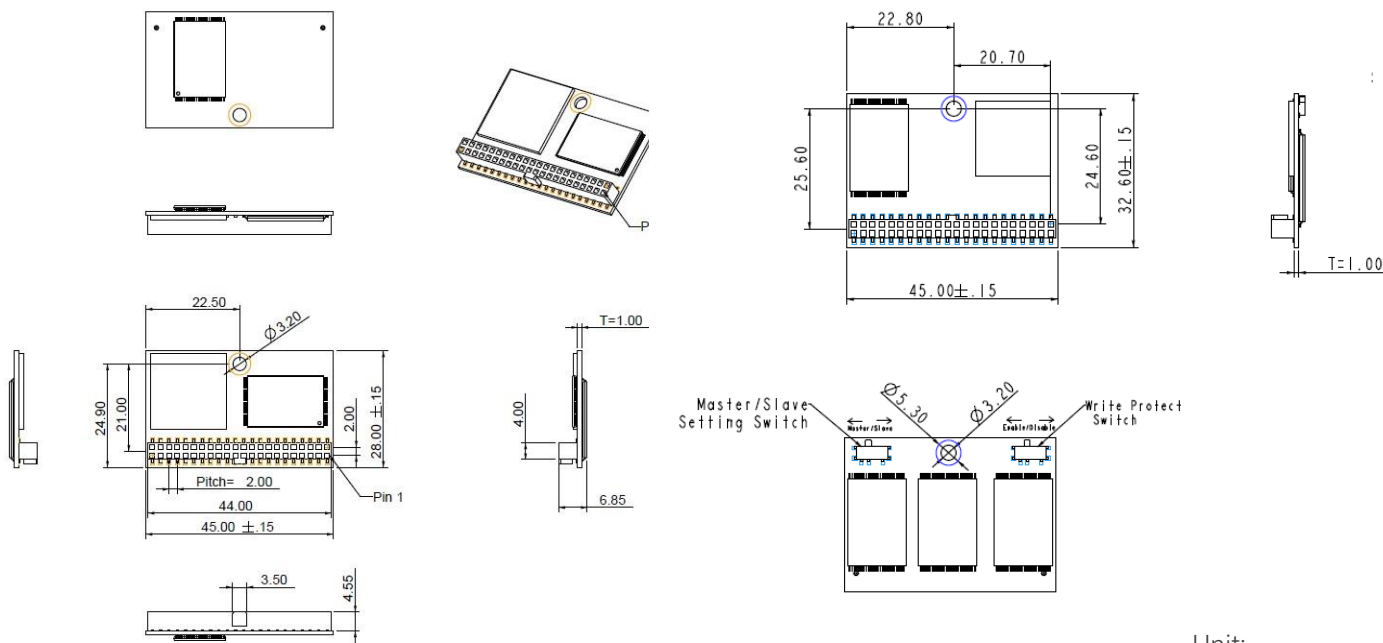
### Feature

- Standard 44-pin IDE female connector
- Advanced Wear-Leveling and Block Management
- Built-in ATA Secure Erase and S.M.A.R.T. Function
- Intelligent Power Failure Recovery
- Halogen Free

## Specifications

Model	ADM5S 44P/270D
Interface	Standard ATA/IDE
Connector	44-pin
Operation Mode	PIO Mode up to 4/ Multiword DMA Mode up to 2/ DMA Mode up to 6
NAND Flash Type	SLC
Capacity	128MB~64GB
Sequential Read Performance (MB/sec)	Up to 75
Sequential Write Performance (MB/sec)	Up to 65
ECC Engine	Built-in 72-bit per 1K bytes BCH ECC
Standard Operating Temperature ( °C )	0 ~ + 70
Extended Operating Temperature ( °C )	-40 ~ + 85
Storage Temperature ( °C )	-40 ~ + 100
Housing	NO
H/W Write Protect	NO
Screw Hole	Yes
Shock	1500G (complied with MIL-STD810)
Vibration	15G (complied with MIL-STD810)
Operating Voltage	3.3 V ± 5% & 5 V ± 5%
Power Consumption	Active mode: 265 mA & Idle mode: 5 mA
Dimension (L x W x H)	45 x 28 x 6.85 (mm)
MTBF (hours)	>2,000,000

## Mechanical Specification



Unit:  
mm

## Ordering Info

Operation Temp.	128MB	256MB	512MB	1GB	2GB
Standard Grade	AP-FM0128D1305S-	AP-FM0256D1305S-	AP-FM0512D1305S	AP-FM001GD1305S-T	AP-FM002GD1305S-T
Industrial Grade	AP-FM0128D1305S TW	AP-FM0256D1305S TW	AP-FM0512D1305S TW	AP-FM001GD1305S TW	AP-FM002GD1305S TW

Operation Temp.	4GB	8GB	16GB	32GB	64GB
Standard Grade	AP-FM004GD1305S-T	AP-FM008GD1305S-T	AP-FM016GD1305S-T	AP-FM032GD1305S-T	AP-FM064GD1305S-T
Industrial Grade	AP-FM004GD1305S TW	AP-FM008GD1305S TW	AP-FM016GD1305S TW	AP-FM032GD1305S TW	AP-FM064GD1305S TW

## Global Presence

Taiwan  
(Headquarters)  
Apacer Technology  
Inc. Tel: +886-2-  
2267-8000  
Fax: +886-2-2267-  
2668  
Apacer Technology  
Corp. Tel: +81-3-5419-  
2668  
Fax: +81-3-5419-0018

Europe  
Apacer Technology  
B.V. Tel: +31-40-267-  
0000  
Fax: +31-40-290-0686  
India  
Apacer Technologies Pvt.  
Ltd. Tel: +91-80-  
41529061~3  
Fax: +91-80-41700215

U.S.A.  
Apacer Memory America,  
Inc. Tel: +1-408-518-8699  
Fax: 1-510-249-9551

China  
Apacer  
Electronic(Shanghai) Co.,  
Ltd.  
Tel: +86-21-6228-9939