

Apacer

The Most **Reliable**
Storage For Industries



ADM5S 44P/90D/270D



ADM5S 44P/90D/270D

Overview

Apacer ATA Disk Module 5S(ADM) complies with 44 PIN IDE (ATA) standard interface in horizontal type or in vertical type, including 90 and 270 degree. With high capacity of flash memory supporting, and is suitable for data storage media and code storage device for embedded system, mobile computing devices or other electronic equipments. 100% Compatible with the Standard IDE ATA interface, Apacer ATA Disk Module 5S(ADM) works exactly like a standard hard drive but without any moving part, strongly increasing reliability and improving data access speed performance, without any noise.



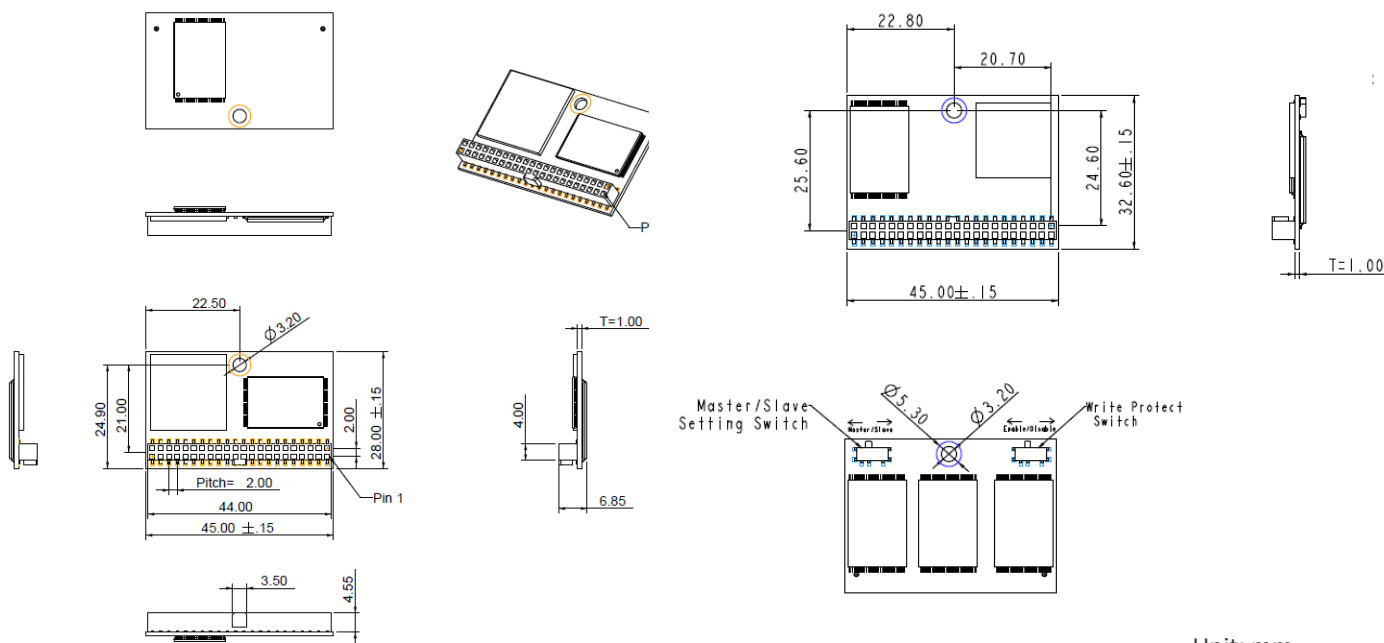
Feature

- Standard 44-pin IDE female connector
- Advanced Wear-Leveling and Block Management
- Built-in ATA Secure Erase and S.M.A.R.T. Function
- Intelligent Power Failure Recovery
- Halogen Free

Specifications

Model	ADM5S 44P/90D/270D
Interface	Standard ATA/IDE
Connector	44-pin
Operation Mode	PIO Mode up to 4/ Multiword DMA Mode up to 2/ Ultra DMA Mode up to 6
NAND Flash Type	SLC
Capacity	128MB~64GB
Sustained Read Performance (MB/sec)	Up to 75
Sustained Write Performance (MB/sec)	Up to 65
ECC Engine	Built-in 72-bit per 1K bytes BCH ECC
Standard Operating Temperature (°C)	0 ~ + 70
Extended Operating Temperature (°C)	-40 ~ + 85
Storage Temperature (°C)	-40 ~ + 100
Housing	NO
H/W Write Protect	NO
Screw Hole	Yes
Shock	1500G (complied with MIL-STD810)
Vibration	15G (complied with MIL-STD810)
Operating Voltage	3.3 V ± 5% & 5 V ± 5%
Power Consumption	Active mode: 265 mA & Idle mode: 5 mA
Dimension (L x W x H)	45 x 28 x 6.85 (mm)
MTBF (hours)	>2,000,000

Mechanical Specification



Unit: mm

Ordering Info

Operation Temp.	128MB	256MB	512MB	1GB	2GB
Standard Grade	AP-FM0128D1305S-T	AP-FM0256D1305S-T	AP-FM0512D1305S-	AP-FM001GD1305S-T	AP-FM002GD1305S-T
Industrial Grade	AP-FM0128D1305S-TW	AP-FM0256D1305S-TW	AP-FM0512D1305S-TW	AP-FM001GD1305S-TW	AP-FM002GD1305S-TW

Operation Temp.	4GB	8GB	16GB	32GB	64GB
Standard Grade	AP-FM004GD1305S-T	AP-FM008GD1305S-T	AP-FM016GD1305S-T	AP-FM032GD1305S-T	AP-FM064GD1305S-T
Industrial Grade	AP-FM004GD1305S-TW	AP-FM008GD1305S-TW	AP-FM016GD1305S-TW	AP-FM032GD1305S-TW	AP-FM064GD1305S-TW

Global Presence

Taiwan (Headquarters)
Apacer Technology Inc.
Tel: +886-2-2267-8000
Fax: +886-2-2267-2261

Europe
Apacer Technology B.V.
Tel: +31-40-267-0000
Fax: +31-40-290-0686

U.S.A.
Apacer Memory America, Inc.
Tel: +1-408-518-8699
Fax: 1-510-249-9551

China
Apacer Electronic(Shanghai)
Co., Ltd.
Tel: +86-21-6228-9939

Japan
Apacer Technology Corp.
Tel: +81-3-5419-2668
Fax: +81-3-5419-0018

India
Apacer Technologies Pvt. Ltd.
Tel: +91-80-41529061~3
Fax: +91-80-41700215