

Apacer

The Most **Reliable**  
Storage For Industries



**μSDC Plus-M**



## μSDC Plus-M

### Overview

Apacer ultra-small 16x20mm SSD-μSDC complies with JEDEC MO-276 specification, a maximum sequential read/write speed of 495/175 MB/sec, which integrates key components such as controller, flash and DRAM in a single chip using a single ball grid array package (BGA) technology, breaking the traditional size restrictions, and is a great leap forward in terms of technology. In addition, its characteristics such as wide temperature (-40°C ~+85°C) and surface-mount technology (SMT) provide the most stable storage installation for observation and photography even in high altitude.



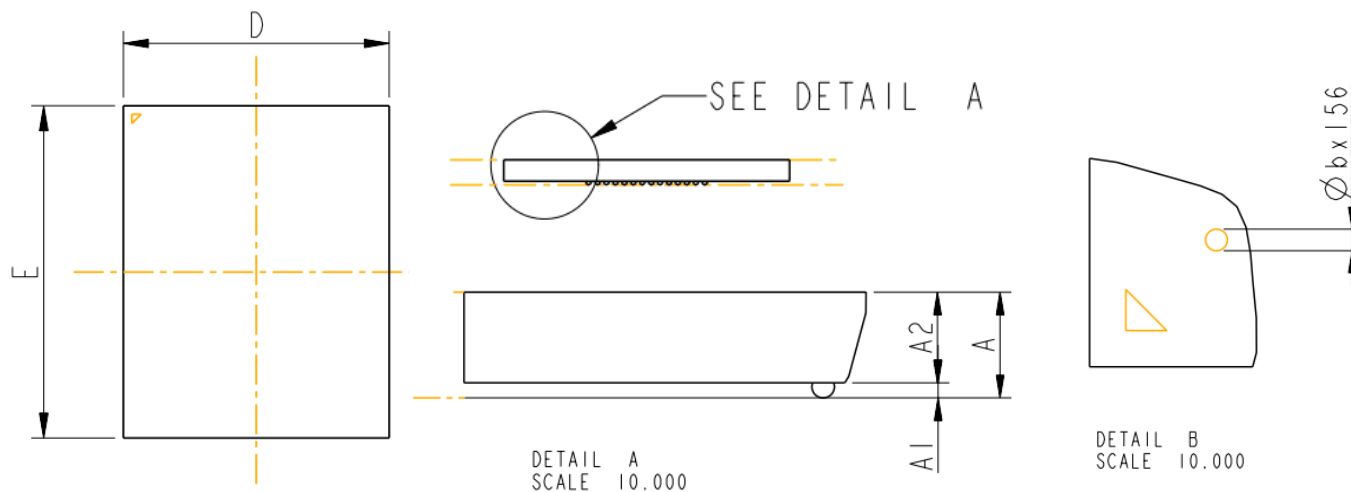
### Feature

- Tiny size with outstanding performance
- Compliant with MO-276 standard (16x20x1.4mm)
- SoC (System on chip) /SiP (System in chip) Technology
- Built-in S.M.A.R.T. functions
- TRIM Command Support
- DEVSLP Support

## Specifications

<b>Model</b>	μSDC Plus-M
<b>Interface</b>	SATA 3.0 (6Gb/s)
<b>Connector</b>	BGA 156 Ball
<b>Physical Form Factor (Inch)</b>	MO-276
<b>NAND Flash Type</b>	MLC
<b>Capacity</b>	8GB~128GB
<b>External DRAM</b>	
<b>Sustained Read Performance (MB/sec)</b>	Up to 495
<b>Sustained Write Performance (MB/sec)</b>	Up to 175
<b>ECC Engine</b>	Built-in 72-bit per 1K bytes BCH ECC
<b>Standard Operating Temperature ( °C )</b>	0 ~ + 70
<b>Extended Operating Temperature ( °C )</b>	-40 ~ + 85
<b>Storage Temperature ( °C )</b>	-40 ~ + 85
<b>Shock</b>	1500G (complied with MIL-STD810)
<b>Vibration</b>	15G (complied with MIL-STD810)
<b>Operating Voltage</b>	5.0 V ± 5%
<b>Low Power Consumption</b>	Active mode: 440 mA & Idle mode: 135 mA
<b>Dimension (L x W x H )</b>	16 x 20 x 1.4 (mm)
<b>MTBF (hours)</b>	>1,000,000

## Mechanical Specification



Unit: mm

## Ordering Info

Operation Temp.	8GB	16GB	32GB	64GB
Standard	AP-USDC08GC149-KTM1	AP-USDC16GC249-KTM1	AP-USDC32GC449-KTM1	AP-USDC64GC449-KTM1
Extended	AP-USDC08GE149-KTM1	AP-USDC16GE249-KTM1	AP-USDC32GE449-KTM1	AP-USDC64GE449-KTM1

Operation Temp.	128GB
Standard	AP-USDC128C849-KTM1
Extended	AP-USDC128E849-KTM1

## Global Presence

Taiwan (Headquarters)  
Apacer Technology Inc.  
Tel: +886-2-2267-8000  
Fax: +886-2-2267-2261

Europe  
Apacer Technology B.V.  
Tel: +31-40-267-0000  
Fax: +31-40-290-0686

U.S.A.  
Apacer Memory America, Inc.  
Tel: +1-408-518-8699  
Fax: 1-510-249-9551

China  
Apacer Electronic(Shanghai)  
Co., Ltd.  
Tel: +86-21-6228-9939

Japan  
Apacer Technology Corp.  
Tel: +81-3-5419-2668  
Fax: +81-3-5419-0018

India  
Apacer Technologies Pvt. Ltd.  
Tel: +91-80-41529061~3  
Fax: +91-80-41700215