

The Most **Reliable** Storage For Industries

PV170-mPCIe



PV170-mPCIe

Overview

Apacer's PV170-mPCIe is a mini PCIe Disk Module with standard mini PCI-Express interface. Compliant with full-size mini PCIe form factor, PV170-mPCIe can fit in various types of embedded platforms. The SSD provides one-lane PCI-Express 2.0 host interface, and is compatible with 5.0 Gbps maximum transfer rate. Compatibility-wise, this mini PCIe SSD is not only fully compliant with PCI Express Specification Rev.2.0 and Electromechanical Rev.2.0, but also supports NCQ commands and IDE/AHCI operational modes.

With Over-Provisioning designed as inbuilt feature for 3D NAND, PV170-mPCIe delivers exceptional random read/write performance, power efficiency, and offers greatly extended lifespan. Performance is even tremendously optimized due to the implementation of Page Mapping firmware technology. The incorporation of Over-Provisioning and Page Mapping makes PV170-mPCIe the ideal choice for networking system, thin computing devices and high-end heavy duty servers.



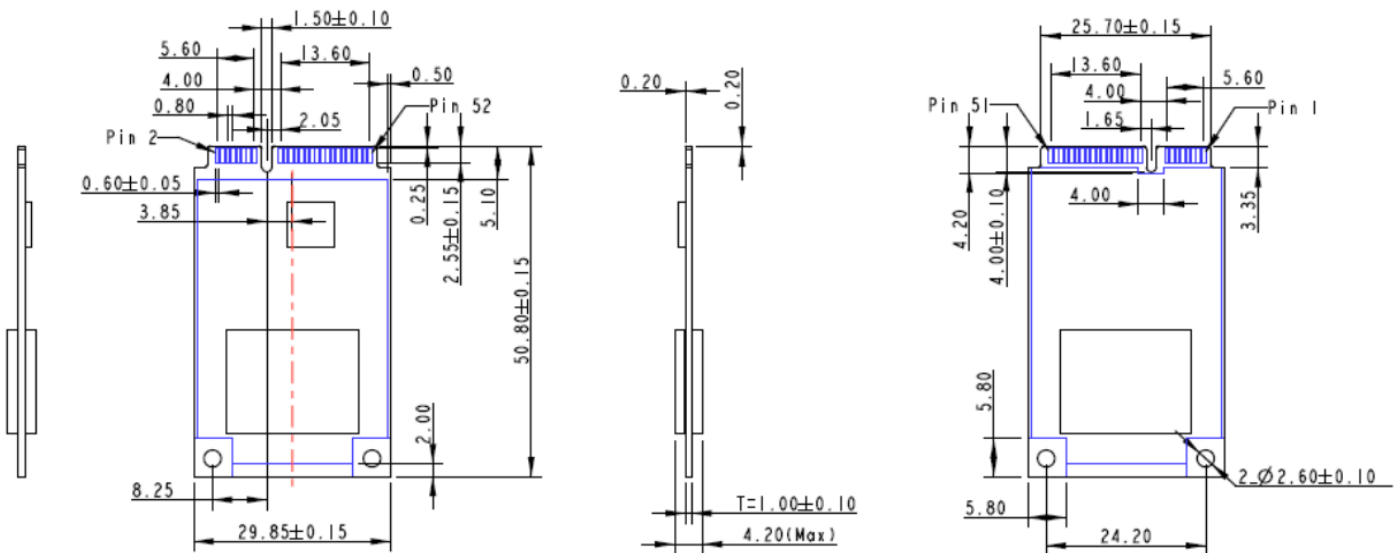
Feature

- Supports LDPC ECC
- Global Wear Leveling
- Flash bad-block management
- Hyper Cache Technology
- Power Failure Management
- End-to-End Data Protection
- TRIM Support
- Supports S.M.A.R.T function

Specifications

Model	PV170-mPCIe
Interface	PCI Express Gen2x1
Connector	One lane mini PCI Express
Form Factor	Mini PCIe Full-Mini Card Type
NAND Flash Type	3D TLC
Capacity	30GB~120GB
Sustained Read Performance (MB/sec)	Up to 395
Sustained Write Performance (MB/sec)	Up to 380
ECC Engine	Low-Density Parity-Check (LDPC) Code
IOPS (4K Random Write)	60K
Standard Operating Temperature (°C)	0 ~ + 70
Storage Temperature (°C)	-40 ~ + 100
Shock	Operation: 50G, 11ms Non-operation: 1500G, 0.5ms
Vibration	Operation: 7.69 Grms, 20~2000 Hz/random (compliant with MIL-STD-810G) Non-operation: 4.02 Grms, 15 ~ 2000 Hz/sine (compliant with MIL-STD-810G)
Operating Voltage	3.3V ±5%
Power Consumption	Active mode: 610 mA / Idle mode: 360 mA
Dimension (L x W x H)	50.8mm x 29.85mm x 4.2mm
MTBF (hours)	>1,000,000

Mechanical Specification



Unit: mm
Tolerance: ± 0.25

For more information,
contact your Apacer representative

Global Presence

Taiwan (Headquarters)
Apacer Technology Inc.
Tel: +886-2-2267-8000
Fax: +886-2-2267-2261

Europe
Apacer Technology B.V.
Tel: +31-40-267-0000
Fax: +31-40-290-0686

U.S.A.
Apacer Memory America, Inc.
Tel: +1-408-518-8699
Fax: 1-510-249-9551

China
Apacer Electronic(Shanghai)
Co., Ltd.
Tel: +86-21-6228-9939

Japan
Apacer Technology Corp.
Tel: +81-3-5419-2668
Fax: +81-3-5419-0018

India
Apacer Technologies Pvt. Ltd.
Tel: +91-80-41529061~3
Fax: +91-80-41700215