

Apacer

The Most **Reliable**
Storage For Industries



μSDC-SL



Overview

Apacer Micro SDC (Micro SATA Disk Chip, μSDC) presents a revolutionary breakthrough of NAND flash storage technology. This micro sized SSD delivers all the technological benefits in NAND based storage solution with ultra speed SATA 6.0 Gbps interface in an embedded BGA form factor, compatible with JEDEC MO-276. Formed in a size of an IC chip, the speedy μSDC can offer up to 64GB in capacity and the performance level can reach up to 500 MB/s for read and 185 MB/s for write. With its micro-size and ultra speed, the μSDC is definitely the ideal storage solution for high performance demand mobile devices.



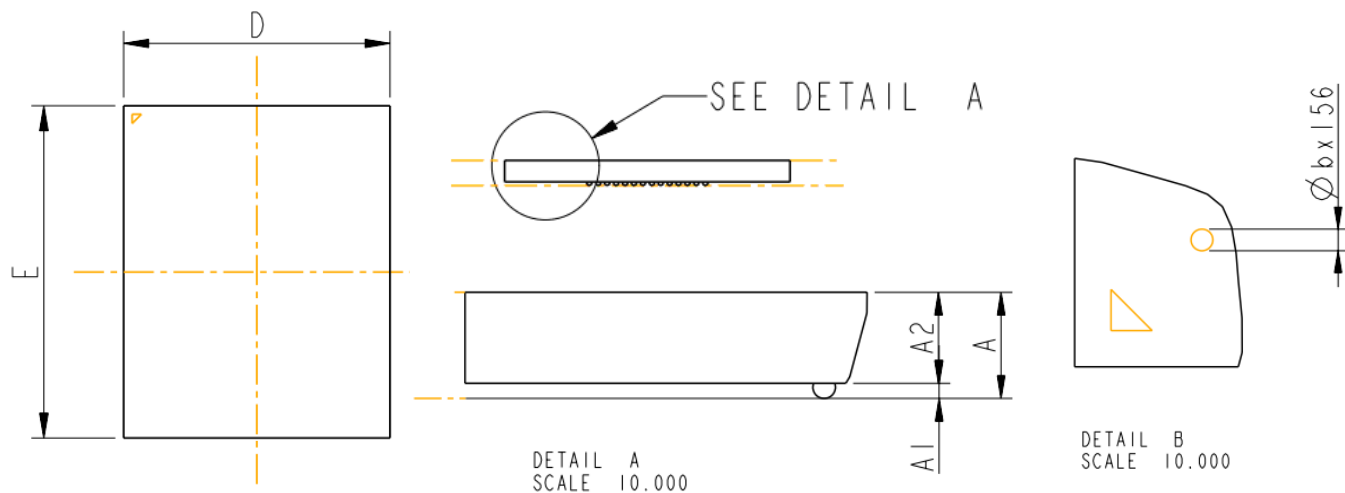
Feature

- Tiny size with outstanding performance
- Compliant with MO-276 standard (16x20x1.4mm)
- SoC (System on chip) /SiP (System in chip) Technology
- Built-in S.M.A.R.T. functions
- TRIM Command Support
- DEVSLP Support"

Specifications

Model	μSDC-SL
Interface	SATA 3.0 (6Gb/s)
Connector	BGA 156 Ball
Physical Form Factor (Inch)	MO-276
NAND Flash Type	SLC-Lite
Capacity	8GB~64GB
Sustained Read Performance (MB/sec)	Up to 500
Sustained Write Performance (MB/sec)	Up to 185
ECC Engine	Built-in 72-bit per 1K bytes BCH ECC
Standard Operating Temperature (°C)	0 ~ + 70
Extended Operating Temperature (°C)	-40 ~ + 85
Storage Temperature (°C)	-40 ~ + 85
Shock	1500G (complied with MIL-STD810)
Vibration	15G (complied with MIL-STD810)
Operating Voltage	5.0 V ± 5%
Low Power Consumption	Active mode: 330 mA & Idle mode: 105 mA
Dimension (L x W x H)	16 x 20 x 1.4 (mm)
MTBF (hours)	>1,000,000

Mechanical Specification



Unit: mm

Ordering Info

Operation Temp.	8GB	16GB	32GB	64GB
Standard	AP-USDC08GC249-LTM1	AP-USDC16GC449-LTM1	AP-USDC32GC449-LTM1	AP-USDC064C849-LTM1
Extended	AP-USDC08GE249-LTM1	AP-USDC16GE449-LTM1	AP-USDC32GE449-LTM1	AP-USDC064E849-LTM1

Global Presence

Taiwan (Headquarters)
Apacer Technology Inc.
Tel: +886-2-2267-8000
Fax: +886-2-2267-2261

Europe
Apacer Technology B.V.
Tel: +31-40-267-0000
Fax: +31-40-290-0686

U.S.A.
Apacer Memory America, Inc.
Tel: +1-408-518-8699
Fax: 1-510-249-9551

China
Apacer Electronic(Shanghai)
Co., Ltd.
Tel: +86-21-6228-9939

Japan
Apacer Technology Corp.
Tel: +81-3-5419-2668
Fax: +81-3-5419-0018

India
Apacer Technologies Pvt. Ltd.
Tel: +91-80-41529061~3
Fax: +91-80-41700215