

Apacer

The Most **Reliable**
Storage For Industries



SFD25A



Overview

Apacer SFD25A is designed with SLC Flash Technology to meet the most demanding Industrial and Military environment. Featured in SATA 6.0 Gb/s interface, the SSD is able to deliver exceptional read/write speed, making it the ideal companion for heavy-loading Industrial and mission-critical Military applications. In regard of reliability, the drive comes with various implementations including powerful hardware ECC engine, power saving modes, global wear leveling, flash block management, S.M.A.R.T., TRIM, and power failure management



Feature

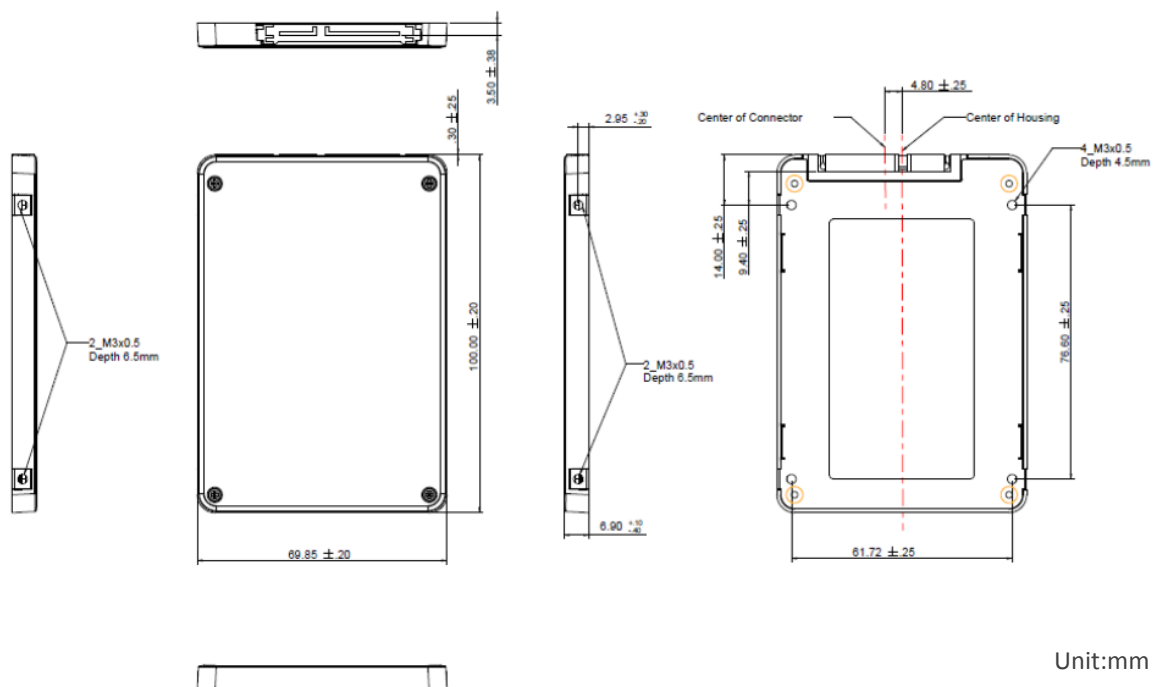
- Longevity and Long Usage Life
- Advanced 4K Page Mapping Technology
- Excellent IOPs- Wide Temperature support
- Built-in ATA Secure Erase and S.M.A.R.T. Functions
- Intelligent Power Failure Recovery
- DEVSLP Support (Optional)
- 9.5mm and 7mm Housing (Optional)

Specifications

Model	SFD25A
Interface	SATA 3.0 (6Gb/s)
Connector	(7+15) pin male
Form Factor	2.5
NAND Flash Type	SLC
Capacity	8GB~256GB
External DRAM	Yes
Sustained Read Performance (MB/sec)	Up to 530
Sustained Write Performance (MB/sec)	Up to 445
ECC Engine	Built-in 40-bit per 1K bytes BCH ECC
IOPs (4K Random Write)	76K
Standard Operating Temperature (°C)	0 ~ + 70
Extended Operating Temperature (°C)	-40 ~ + 85
Storage Temperature (°C)	-40 ~ + 100
Thermal sensor	Optional
Shock	Operation: 50G, 11ms Non-operation: 1500G, 0.5ms
Vibration	Operation: 7.69 Grms, 20~2000 Hz/random (compliant with MIL-STD-810G) Non-operation: 15 G, 10 ~ 2000 Hz/sine
Operating Voltage	5.0 V ± 5%
Power Consumption	Active mode: 500 mA & Idle mode: 105 mA
Dimension (L x W x H)	100 x 69.8 x 9.3 / 100 x 69.8 x 7 (mm)
MTBF (hours)	>2,000,000

Mechanical Specification

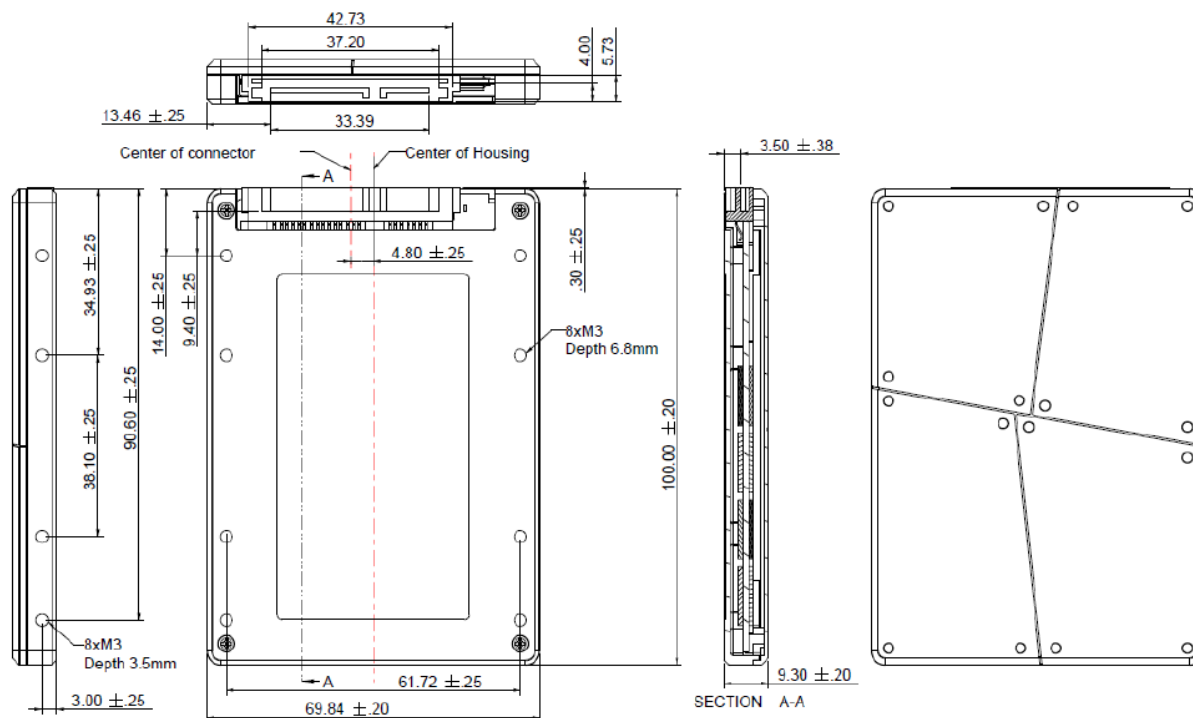
7mm Housing



Unit:mm

Mechanical Specification

9.5 mm Housing



Unit: mm

For more information, contact your Apacer representative

Global Presence

Taiwan (Headquarters)
Apacer Technology Inc.
Tel: +886-2-2267-8000
Fax: +886-2-2267-2261

Europe
Apacer Technology B.V.
Tel: +31-40-267-0000
Fax: +31-40-290-0686

U.S.A.
Apacer Memory America, Inc.
Tel: +1-408-518-8699
Fax: +1-510-249-9551

China
Apacer Electronic(Shanghai)
Co., Ltd.
Tel: +86-21-6228-9939

Japan
Apacer Technology Corp.
Tel: +81-3-5419-2668
Fax: +81-3-5419-0018

India
Apacer Technologies Pvt. Ltd.
Tel: +91-80-41529061~3
Fax: +91-80-41700215