

Apacer

The Most **Reliable**
Storage For Industries



AFD187-M



AFD187-M

Overview

The AFD187-M SSD is the next generation of storage device based on an advanced industrial flash memory technology, it has a tough outer metal case, enormous capacities, high reliability and anti-shock features that make it ideal to replace traditional HDD. In response to customer needs, Apacer launched this AFD187-M SSD with Data Security benefit. It comes with three built-in data security functions - Full Erase, Destroy, and Write Protect to provide advanced and upgraded data security advantages.



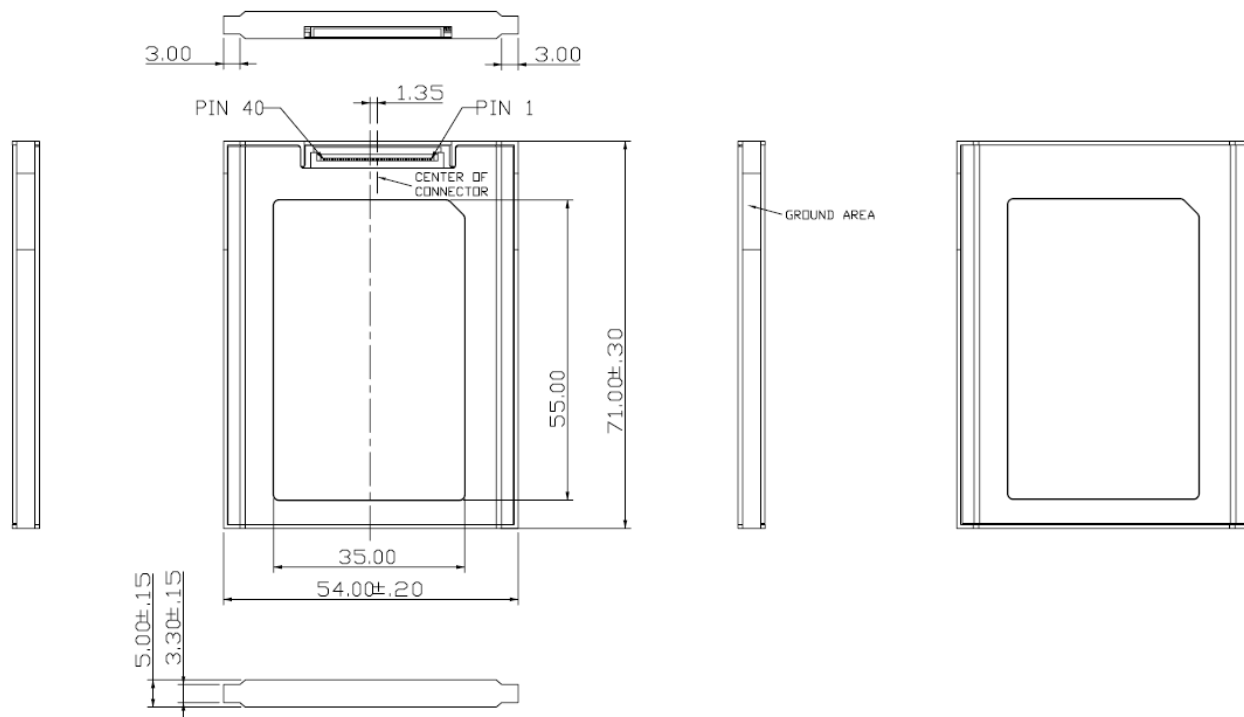
Feature

- Perfect replacement of 1.8 inch PATA HDDs
- Advanced wear-leveling and Block Management
- Built-in ATA Secure Erase and S.M.A.R.T. Functions
- Intelligent Power Failure Recovery

Specifications

Model	AFD187-M
Interface	Standard ATA/IDE
Connector	ZIF 40-pin
Form Factor	1.8
NAND Flash Type	MLC
Capacity	32GB~256GB
External DRAM	No
Sustained Read Performance (MB/sec)	Up to 100
Sustained Write Performance (MB/sec)	Up to 90
ECC Engine	Built-in 72-bit per 1K bytes BCH ECC
Standard Operating Temperature (°C)	0 ~ + 70
Extended Operating Temperature (°C)	-40 ~ + 85
Storage Temperature (°C)	-40 ~ + 100
Shock	1500G (complied with MIL-STD810)
Vibration	15G (complied with MIL-STD810)
Operating Voltage	3.3 V ± 5%
Power Consumption	Active mode: 400 mA & Idle mode: 20 mA
Dimension (L x W x H)	32 x 54 x 4.4 (mm)
MTBF (hours)	>1,000,000

Mechanical Specification



Unit: mm

For more information, contact your Apacer representative

Global Presence

Taiwan (Headquarters)
Apacer Technology Inc.
Tel: +886-2-2267-8000
Fax: +886-2-2267-2261

Europe
Apacer Technology B.V.
Tel: +31-40-267-0000
Fax: +31-40-290-0686

U.S.A.
Apacer Memory America, Inc.
Tel: +1-408-518-8699
Fax: 1-510-249-9551

China
Apacer Electronic(Shanghai)
Co., Ltd.
Tel: +86-21-6228-9939

Japan
Apacer Technology Corp.
Tel: +81-3-5419-2668
Fax: +81-3-5419-0018

India
Apacer Technologies Pvt. Ltd.
Tel: +91-80-41529061~3
Fax: +91-80-41700215